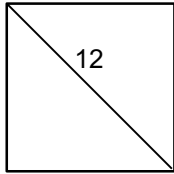
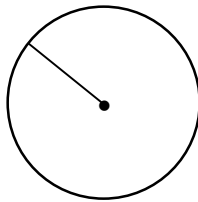


Geometry Bundle 13 Review

1. What is the area of the square?



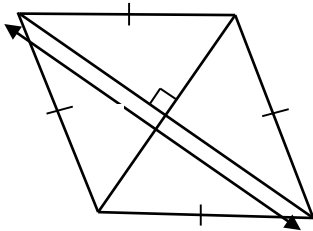
2. A dog is tied with a rope to a stake in the ground. The length of the rope is 8 yards. What is the area, in square yards, in which the dog can roam?



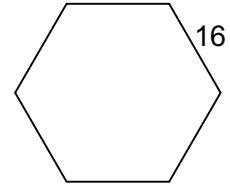
3. What is the perimeter of a square whose area is 64 cm^2 ?

4. What is the exact area of a circle whose circumference is $56\pi \text{ m}$?

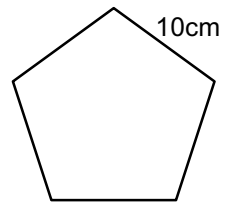
5. What is the area of a rhombus whose perimeter is 100 ft and the longer diagonal is 36 ft?



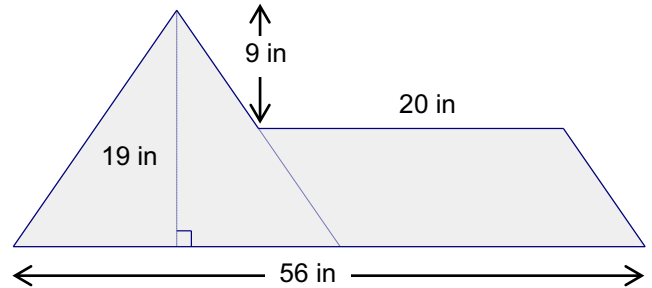
6. What is the area of the regular polygon below?



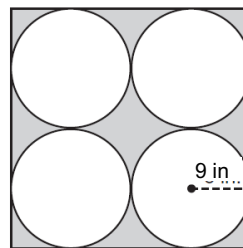
7. What is the approximate area of the regular polygon below?



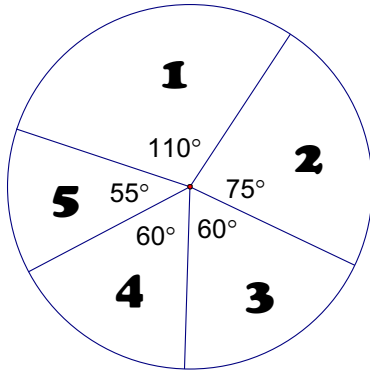
8. Find the area of the composite shape below. (Hint: The height of the parallelogram is 10 in less than the height of the triangle.)



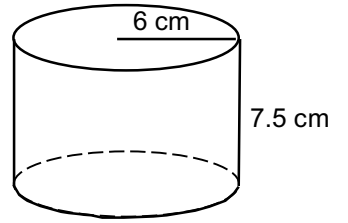
9. What is the approximate area of the shaded portion of the tile?



10. Given that the circle has a radius of 9 cm, what is the area of sector and length of the arc in section 5?



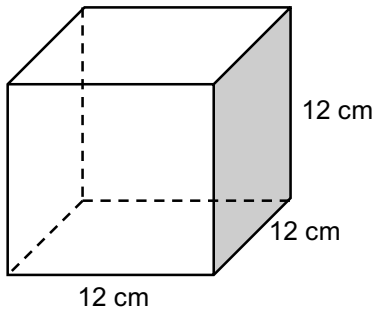
15. Volume =



16. Surface area =

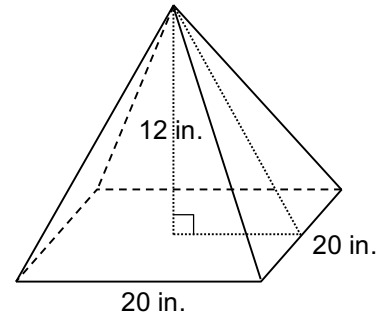
Find the volume and **total** surface area of each figure.

11. Volume =



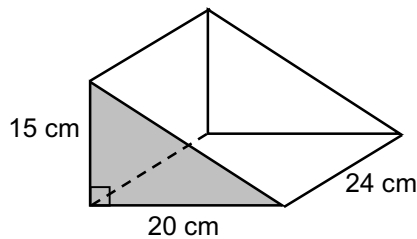
12. Surface area =

17. Volume =



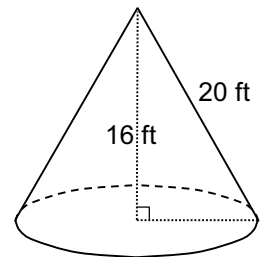
18. Lateral Surface area =

13. Volume =



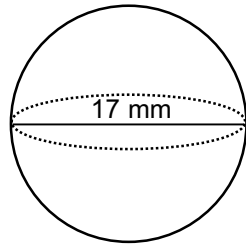
14. Surface area =

19. Volume =



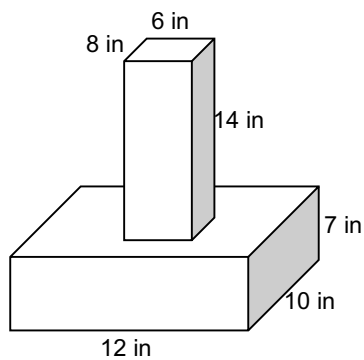
20. Surface area =

21. Volume =



22. Surface area =

23. Volume =



24. Harry is covering a box with adhesive paper.
The box measures $1.5 \text{ ft} \times 3.5 \text{ ft} \times 0.5 \text{ ft}$.
What kind of calculation does Harry need to make?

25. The volume of the cylinder shown is 480 cm^3 .
What is the volume of the cone?

